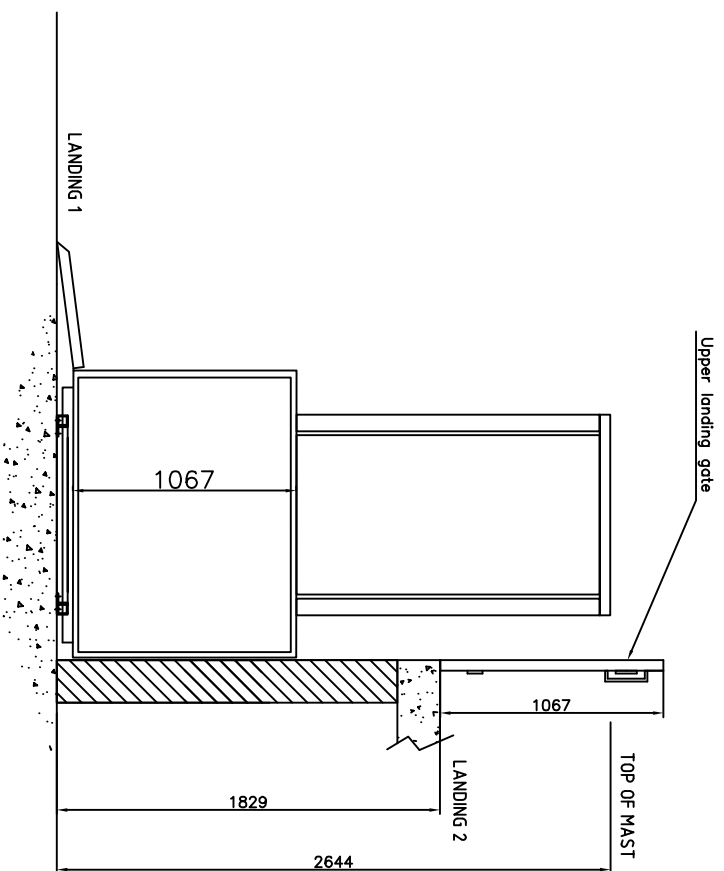
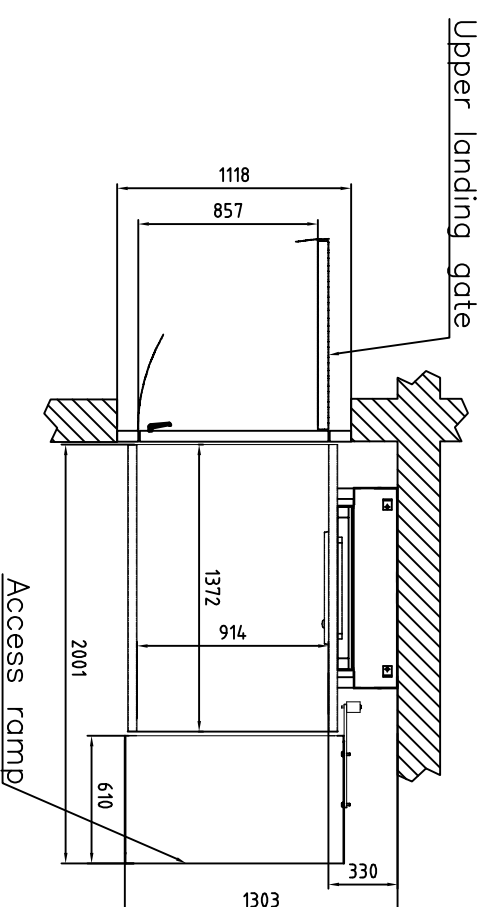


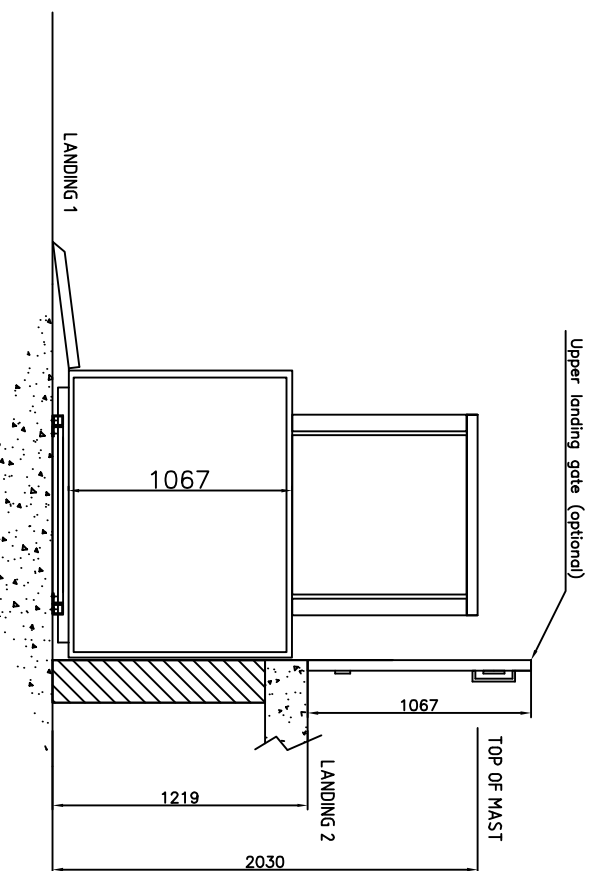
Side view for EleveX Typ 2



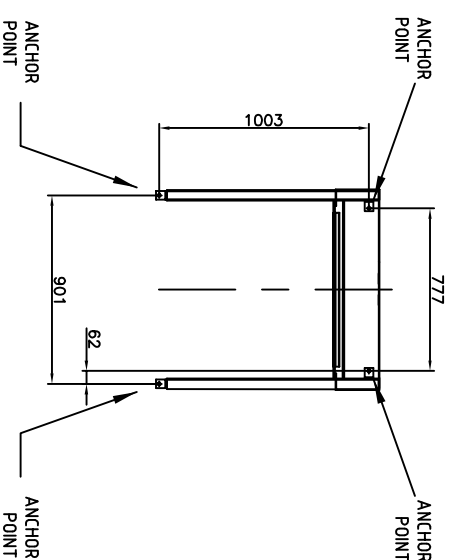
Plan view for EleveX Typ 1 and 2



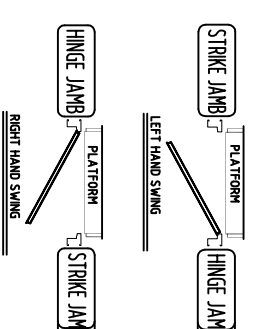
Side view for EleveX Typ 1



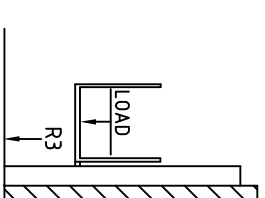
4 Anchor points



Door openings



Forces



R3
FLOOR TO
SUPPORT LOAD
OF: 1360 kg (133kN) x load

Provisions by others

HOISTWAY – THE HOISTWAY MUST BE DESIGNED AND BUILT IN ACCORDANCE WITH NATIONAL AND EUROPEAN PLATFORM LIFTS AND STAIRWAY SAFETY STANDARDS

PLUMB RUNWAY – DUE TO CLOSE RUNNING CLEARANCES OWNER/AGENT MUST ENSURE THAT HOISTWAY AND PIT (WHERE PROVIDED) ARE LEVEL, PLUMB (3 mm) AND SQUARE AND ARE IN ACCORDANCE WITH THE DIMENSIONS ON THESE DRAWINGS.

MINIMUM OVERHEAD CLEARANCE – OWNER/AGENT MUST ENSURE MINIMUM OVERHEAD CLEARANCE IS IN COMPLIANCE WITH CODES.

CONSTRUCTION SITE – OWNER/AGENT TO PROVIDE ALL MASONRY, CARPENTRY AND DRYWALL WORK AS REQUIRED AND SHALL PATCH AND MAKE GOOD (INCLUDING FINISH PAINTING) ALL AREAS WHERE WALLS/FLOORS MAY REQUIRE TO BE CUT, DRILLED OR ALTERED IN ANY WAY TO PERMIT THE PROPER INSTALLATION OF THE LIFT.

DIMENSIONS – CONTRACTOR/CUSTOMER TO VERIFY ALL DIMENSIONS AND REPORT ANY DISCREPANCIES TO OUR OFFICE IMMEDIATELY.

FLOOR/SUPPORT WALL LOADS – STRUCTURAL ENGINEER TO ASSURE THAT BUILDING AND SHAFT WILL SAFELY SUPPORT ALL LOADS IMPOSED BY THE LIFT EQUIPMENT. REFER TO THE LOAD DIAGRAM ON THIS DRAWING.

UPPER LANDING GATES – WHERE REQUIRED, SMOOTH SOLID BARRIERS ARE TO BE SUPPLIED AND INSTALLED ON BOTH SIDES OF ENTRANCE AT UPPER LEVEL AND MUST BE A MINIMUM OF 1067 mm HIGH. ENTRANCE ASSEMBLY MUST BE IN PLACE PRIOR TO THIS PROVISION.

Loading capacity	340 kg	Power supply	1 x 230 V
Lifting height	1219 / 1829 mm	Rated speed	0.04 m/s
Drive system	ACME Screw drive	Power Input	0.75 kW

Index	Dimension	Name	Einheit	Wert

Scale	1:25
-------	------

General layout drawing