

Technical characteristics



Overall dimensions

(special dimensions available on request)

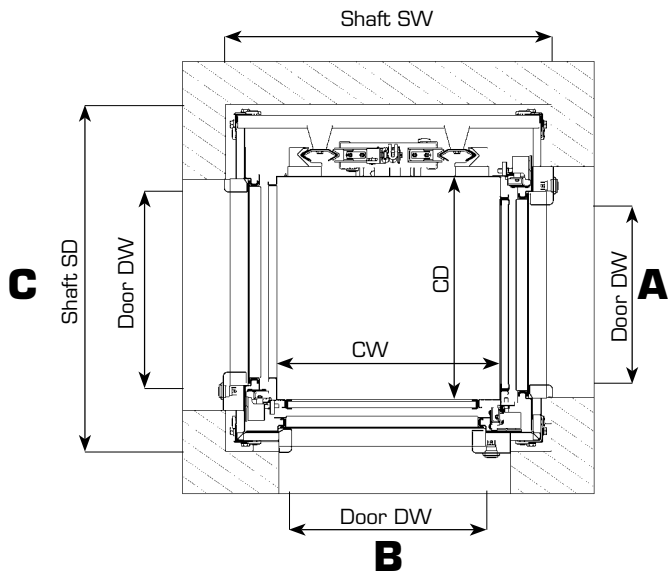
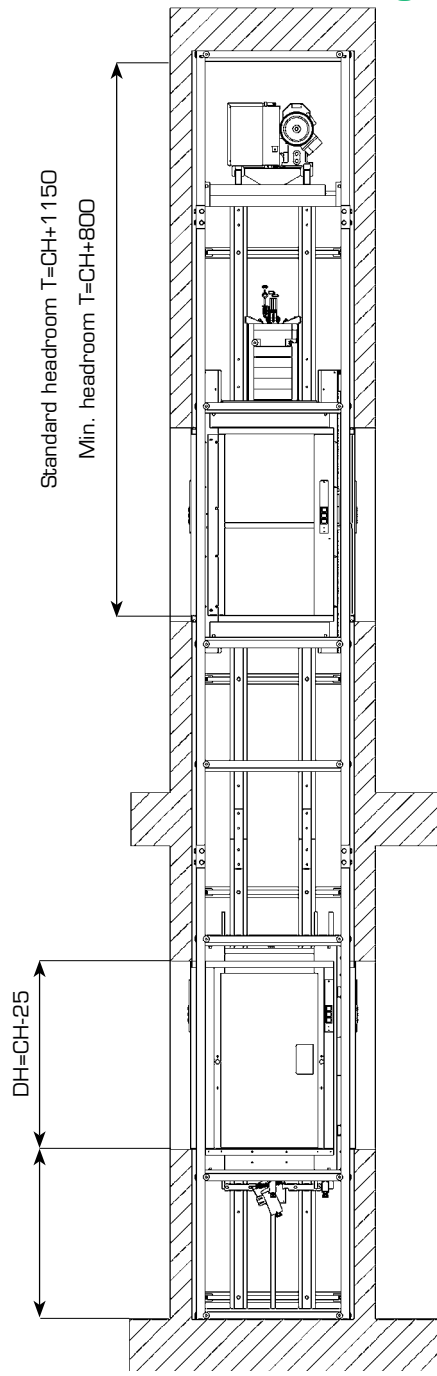
Table of dimensions										
Model	Rated load (kg)	Car (mm)			Shaft (mm)		Doors B position (mm)		Doors AC position (mm)	
		Width CW	Depth CD	High CH	Width SW	Depth SD	Width DW	High DH	Width DW	High DH
DD	24/50	320	510	800	540	745	ND	ND	320	800
DL	24/50	420	545	800	660	835	320	800	420	800
39/5	24/50	520	420	800	760	710	420	800	320	800
NR	24/50	520	520	800	760	810	420	800	420	800
41/5	24/50	520	520	1000	760	810	420	1000	420	1000
1/5	24/50	520	620	800	760	910	420	800	520	800
3/5	24/50	520	720	800	760	1010	420	800	620	800
4/5	24/50	520	720	1000	760	1010	420	1000	620	1000
42/5	24/50	620	420	800	860	710	520	800	320	800
5/5	24/50	620	520	800	860	810	520	800	420	800
MG	24/50	620	620	800	860	910	520	800	520	800
48/5	24/50	620	620	1000	860	910	520	1000	520	1000
7/5	24/50	620	720	800	860	1010	520	800	620	800
50/5	24/50	720	420	800	960	710	620	800	320	800
13/5	24/50	720	520	800	960	810	620	800	420	800
17/5	24/50	720	620	800	960	910	620	800	520	800
21/5	24/50	720	720	800	960	1010	620	800	620	800
22/5	24/50	720	720	1000	960	1010	620	1000	620	1000
29/5	24/50	820	620	800	1060	910	720	800	520	800
33/5	24/50	820	720	800	1060	1010	720	800	620	800
34/5	24/50	820	720	1000	1060	1010	720	1000	620	1000
MGS	100	620	620	800	860	910	520	800	520	800
11/10	100	620	820	800	860	1110	520	800	720	800
54/10	100	720	720	800	960	1010	620	800	620	800
MGT	100	720	720	1000	960	1010	620	1000	620	1000
23/10	100	720	820	800	960	1110	620	800	720	800
24/10	100	720	820	1000	960	1110	620	1000	720	1000
37/10	100	820	820	800	1060	1110	720	800	720	800
38/10	100	820	820	1000	1060	1110	720	1000	720	1000
MDL1	100	820	820	1200	1060	1110	720	1200	720	1200
62/20	200	830	730	1200	1070	1060	720	1200	620	1200
MDL2	200	1000	1000	1200	1240	1330	900	1200	900	1200
MDL3	300	1000	1000	1200	1240	1330	900	1200	900	1200

Some of the above dimensions can be varied to suit your individual requirements by modification of stock models or by special manufacture. Please, contact our Commercial department for details.

24-50-100 Kg

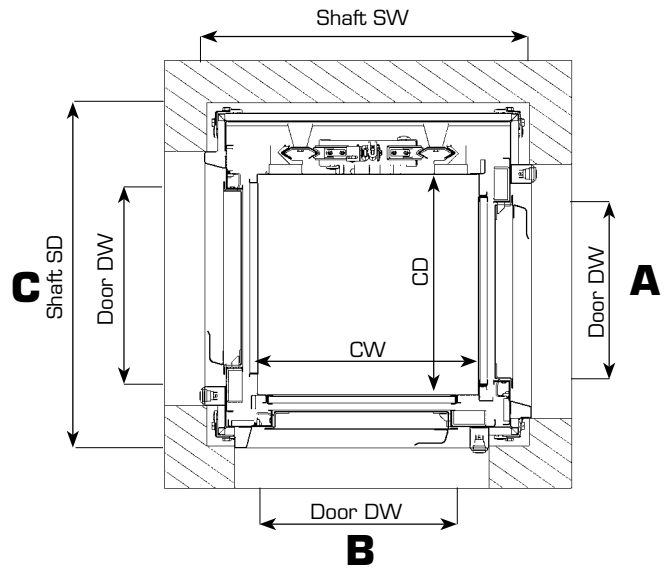
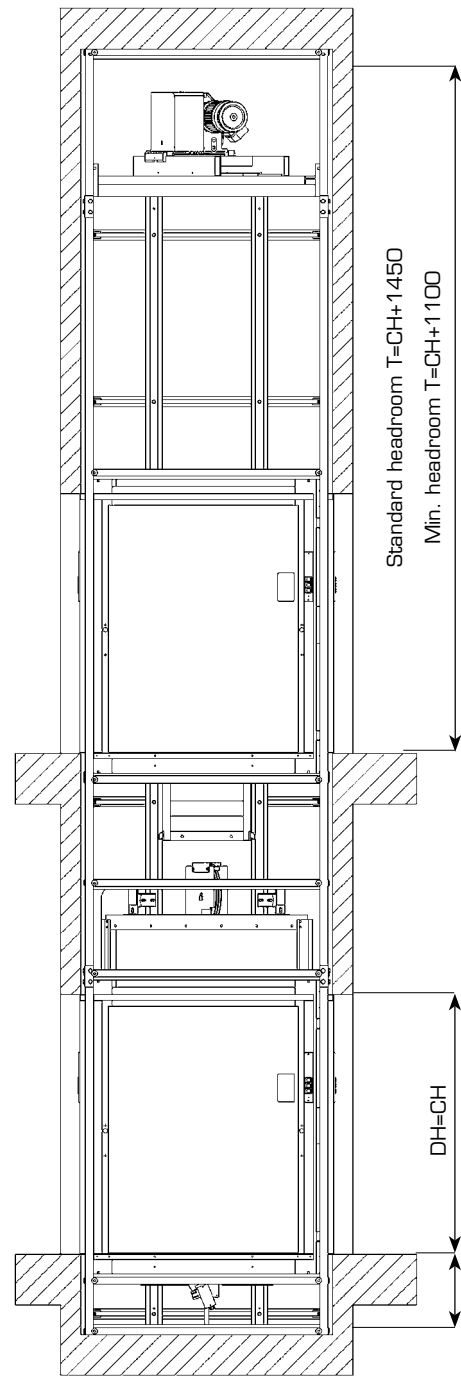
Min. S= * (without safety gear)
 Min. S=600 (with safety gear)

* =130+CH/2 (bi-parting door)
 * =400 (hinged door)



200-300 Kg

Min. S=400 (without safety gear)
 Min. S=600 (with safety gear)



For different dimensions check feasibility