

# DELTA

## *The Platform Stairlift for In- and Outdoor*

*Reliable and safe on straight stairs*



### **MOBILITY**

The *Delta* platform lift is the perfect solution to make straight indoor and outdoor staircases accessible for the wheelchair driver. The smooth transport of electrically powered wheelchairs is guaranteed by a loading capacity of 300 kg.

### **DESIGN & COMFORT**

Thanks to the aesthetically and user friendly design, this lift fits into any environment and will improve your independence and quality of life.

### **SPACE SAVING**

Due to the extremely slim and compact design the platform occupies only a minimum of space, keeping the staircase free of obstruction.

### **HIGH QUALITY**

The robust construction ensures a long working life and a reliable performance. Confirming to the highest safety and quality standards, the *Delta* is an inexpensive way to manage staircases in a pleasant way.



## Specifications

Installation location:	Indoor and outdoor
Angle of stairs:	0° - 47°
Max. loading capacity	300 kg
Speed:	0.1 m/s
Drive:	0,5 kW; supplied by batteries
Power supply:	1 x 230V for charger
Operation:	Remote radio control and handset
Powder coated platform:	RAL 7035 or special colour
Rail:	Powder coated or stainless steel



The rails remain free of grease or dirt, with the upper rail acting also as a handrail.

In parking position, the platform depth needed is less than 29cm, with the barrier arms folded into the platform!

Optional the lift can be equipped with a foldable seat on the platform.

*For further information, please contact:*

# DELTA

## The Platform Stairlift



Omega



Liftboy



Poollift



Alpin Z300



Elevex



Treppenkuli

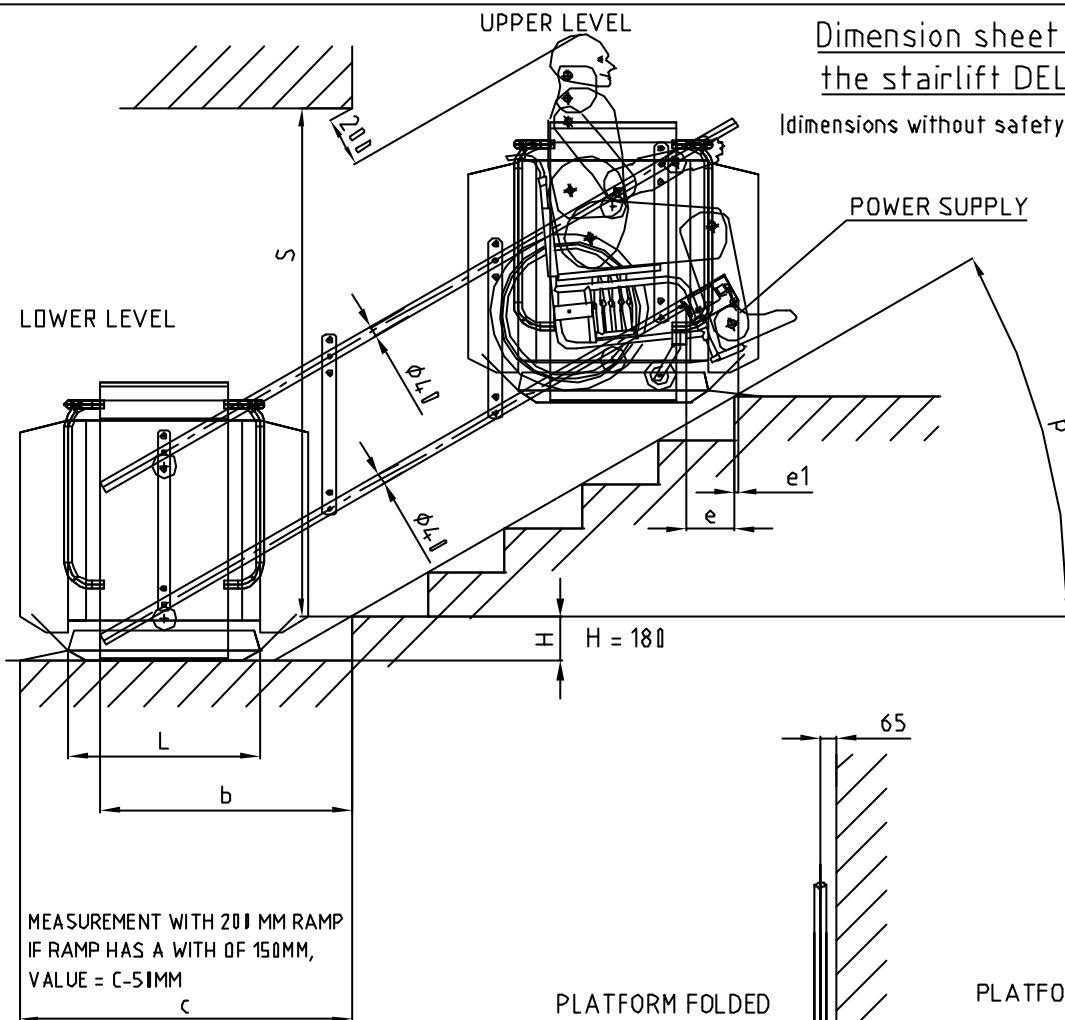


Stairmax

# Dimension sheet for the stairlift DELTA

(dimensions without safety bottom)

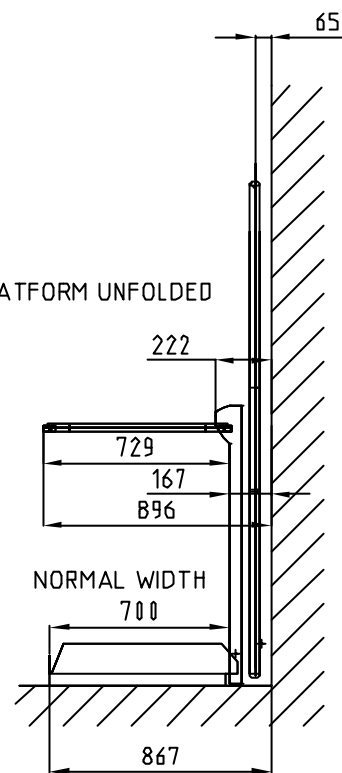
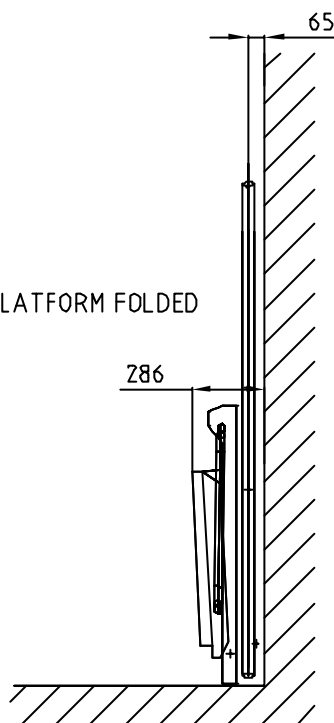
**GRADIENT:**  
min. 15°  
max. 45°



PLATFORM FOLDED

PLATFORM UNFOLDED

15°	0,5 L + 961	L + 897
20°	0,5 L + 787	L + 724
25°	0,5 L + 690	L + 630
30°	0,5 L + 621	L + 565
35°	0,5 L + 567	L + 518
40°	0,5 L + 521	L + 481
45°	0,5 L + 481	L + 451
P	b	c
GRADIENT	L - SPECIAL SIZES	



15°	1336	1647	169	38	1790	1411	1797	244	-37	1817	1461	1897	294	-87	1826
20°	1162	1474	160	48	1848	1237	1624	235	-27	1884	1287	1724	285	-77	1896
25°	1065	1381	174	33	1917	1140	1530	249	-42	1964	1190	1630	299	-92	1979
30°	996	1315	190	14	1994	1071	1465	265	-61	2052	1121	1565	315	-111	2071
35°	942	1268	208	-8	2081	1017	1418	283	-83	2151	1067	1518	333	-133	2174
40°	896	1231	229	-34	2181	971	1381	304	-109	2265	1021	1481	354	-159	2293
45°	856	1201	251	-63	2300	931	1351	326	-138	2400	981	1451	376	-188	2433
P	b	c	e	e1	S	b	c	e	e1	S	b	c	e	e1	S
GRADIENT	L = 750					L = 900					L = 1000				

Änderungen vorbehalten!

# LEHNER LIFTTECHNIK

Ges.m.b.H.

A - 4724 Neukirchen am Walde, Salling 8, Tel.: +43.7278.3514-11 / Fax: -12, Mobil: 0043/664/3526190  
Web: www.lehner-lifttechnik.at, Email: office.lehner@gmx.at